

New Holland 210TL Front-End Loader Specifications



210TL Loader for Sub-compact Boomer™ Tractors

TRACTOR COMPATIBILITY

Lift capacity @ max. height @ 19.7 in. (500 mm), lbs. (kg)
 Lift capacity @ max. height @ pins, lbs. (kg)
 Lift capacity @ 39 in. (991 mm) high @ 19.7 in. (500 mm)
 Lift capacity @ 39 in. high @ pins, lbs. (kg)
 Breakout force @ 19.7 in. (500 mm), lbs. (kg)
 Breakout force @ pins, lbs. (kg)
 Max. lift height, in. (mm) (A)
 Max. lift height under level bucket, in. (mm) (B)
 Clearance w/bucket dumped, in. (mm) (C)
 Reach @ max. lift height, in. (mm) (D)
 Max. dump angle - degrees (E)
 Reach @ ground line, in. (mm) (F)
 Bucket rollback angle - degrees (G)
 Digging depth, in. (mm) (H)
 Cycle times - seconds
 Raising time
 Lowering time
 Bucket dump time
 Bucket rollback time
 Approx. weight (loader w/o bucket), lbs. (kg)

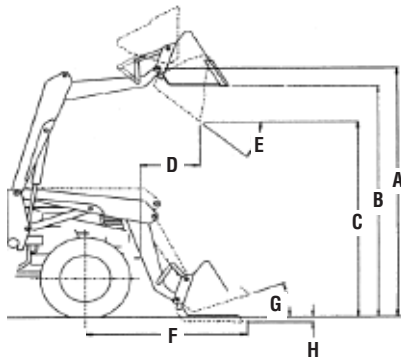
T1010, T1030, TZ18DA, TZ22DA, TZ25DA

464 (210)
 650 (294)
 676 (307)
 492 (223)
 953 (432)
 1357 (615)
 69.6 (1768)
 62.2 (1580)
 49.4 (1255)
 29.9 (759)
 43
 54.5 (1384)
 23
 6.1 (155)
 4.0
 3.4
 1.9
 1.8
 375 (170)

BUCKET CAPACITIES, struck/heaped, cu. yd. (m³)

.21/.26 (.16/.19)

NOTES: Specification based on ASAE (S301.3) and are subject to change without notice. Dimensional and performance specifications are based on typical tractors and tire sizes.



Visit our Web site at www.newholland.com/na. Or, call toll-free **866-NEW-HLND (866-639-4563)**.

Design, materials and/or specifications are subject to change without notice and without liability therefor. Specifications are applicable to units sold in Canada, the United States, its territories and possessions, and may vary outside these areas.



Safety begins with a thorough understanding of the equipment. Always make sure you and your operators read the Operator's Manual before using the equipment. Pay close attention to all safety and operating decals and never operate machinery without all shields, protective devices and structures in place.